



The Carolina Depot logo is a blue silhouette of the state of North Carolina. The text "THE CAROLINA DEPOT" is written in white, uppercase letters across the middle of the state outline.

THE CAROLINA DEPOT

Helicopter Dynamics Components Project

Robert Kestler

Materials Engineer (AIR-4.9.7.)

Naval Air Depot Cherry Point, NC

16 March 2005

NAV  AIR



Current Status CH-46

THE CAROLINA DEPOT

- CH-46 Generator Drive Gears Flight Clearance
- Waiting to be installed
- 900 hour test
- Evaluated every 100 hours





Current Status CH-53

THE CAROLINA DEPOT

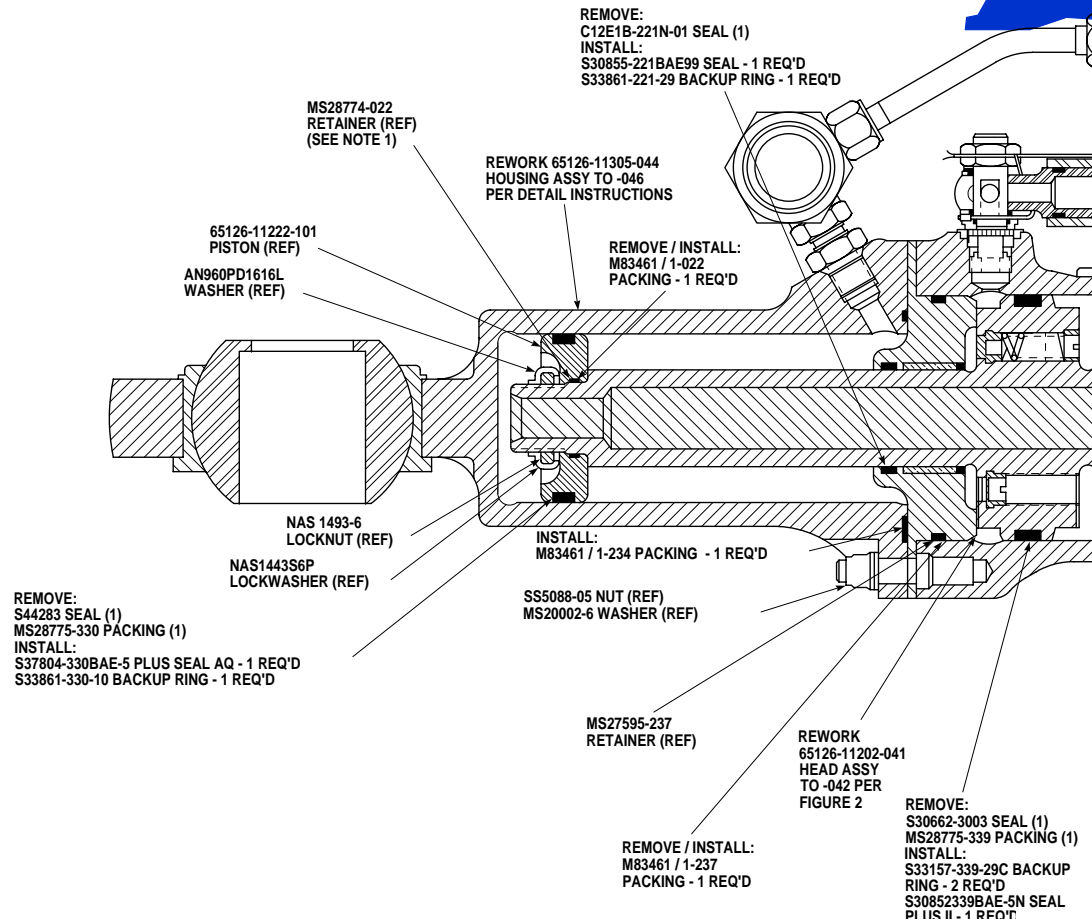
- CH-53 DCC-88 approved
- Implementation being discussed
- Piston coated with WC-Co (83/17)
- Housings coated with Tribaloy 400
- One land on cylinder housing to receive plasma WC-Co





Positioner Housing

THE CAROLINA DEPOT



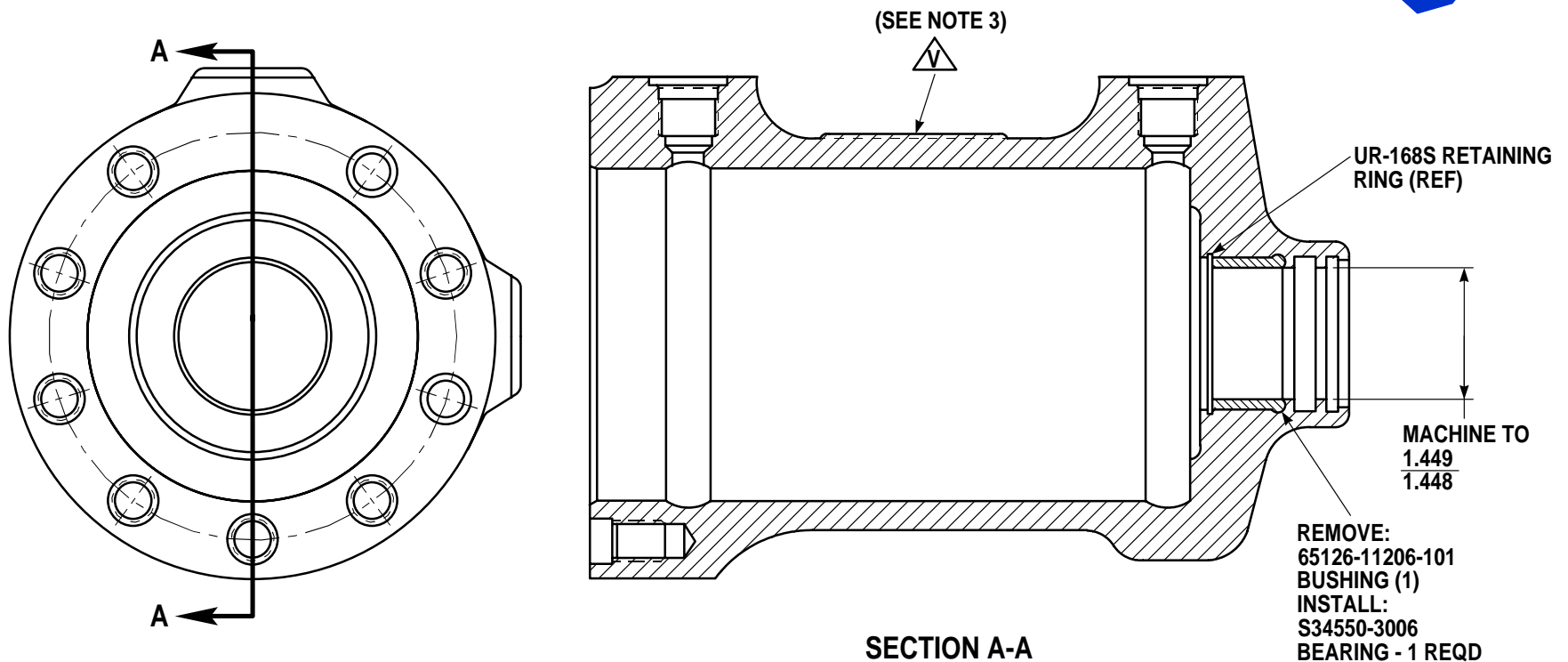
16 March 2005

NAV AIR



Cylinder Assembly

THE CAROLINA DEPOT



16 March 2005

NAV AIR



Potential Candidates for Component Testing

THE CAROLINA DEPOT

- Fwd Carrier shaft and Aft Vertical shaft testing cancelled
- Discussions underway concerning testing at NAVAIR Pax River
- Considering sun gear, pinion gear, planetary carrier





THE CAROLINA DEPOT

Questions?

16 March 2005

NAV  AIR